



VIC ON BRACKET - EXTERIOR

ASSEMBLY AND MOUNTING INSTRUCTIONS

UE-1743

GENERAL NOTES

- CAREFULLY UNPACK THE LUMINAIRE AND INSPECT FOR DAMAGE.
- PLEASE WEAR GLOVES TO PROTECT THE FINISH OF THE FIXTURE.
- SAVE THESE INSTRUCTIONS FOR FUTURE REFERENCE.

NOTICE

- FOR YOUR SAFETY AND PROPER OPERATION OF LUMINAIRE, READ AND UNDERSTAND ALL INSTRUCTIONS COMPLETELY BEFORE COMMENCING INSTALLATION OF THIS LUMINAIRE.
- THIS LUMINAIRE IS SUITED FOR WET LOCATIONS.
- THIS LUMINAIRE IS UL LISTED. WHEN INSTALLING LUMINAIRE, CONFORM TO ALL APPLICABLE LOCAL ELECTRICAL CODES, ORDINANCES, AND THE NATIONAL ELECTRICAL CODE (NEC).
- THIS PRODUCT IS RATED FOR ONE 60W TYPE A BULB

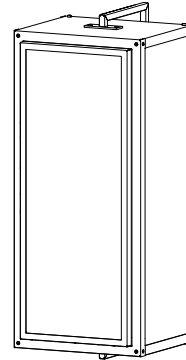
CAUTION

THIS PRODUCT SHOULD BE INSTALLED ONLY BY A LICENSED ELECTRICIAN.

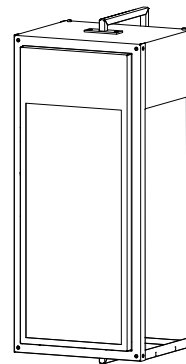
WARNING

THE ELECTRICITY MUST BE TURNED OFF AT THE MAIN FUSE BOX BEFORE INSTALLING THIS LUMINAIRE. TURNING POWER OFF USING THE LIGHT SWITCH MAY NOT BE SUFFICIENT TO PREVENT ELECTRICAL SHOCK.

REGULAR

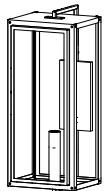
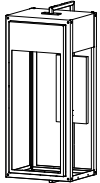


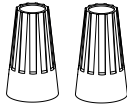


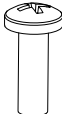
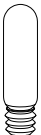
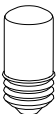
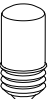


DARK SKY / TURTLE SAFE


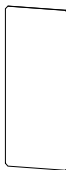



COMPONENTS PROVIDED FOR INSTALLATION

BOX 1

FIXTURE BODY 	FIXTURE BODY (DARK-SKY/TURTLE SAFE) 	GLASS CLIP (X8) 	HEX WRENCH 
WIRENUTS (X3) 	MOUNTING SCREWS (X4) 	WALL ANCHORS (X4) 	JUNCTION BOX SCREWS (X2) 
BULB (REGULAR) 	BULB (DARK SKY ONLY) 	AMBER BULB (TURTLE SAFE ONLY) 	

BOX 2

FRONT GLASS 
BACK GLASS 
SIDE GLASS (X2) 



VIC ON BRACKET - EXTERIOR

ASSEMBLY AND MOUNTING INSTRUCTIONS

UE-1743

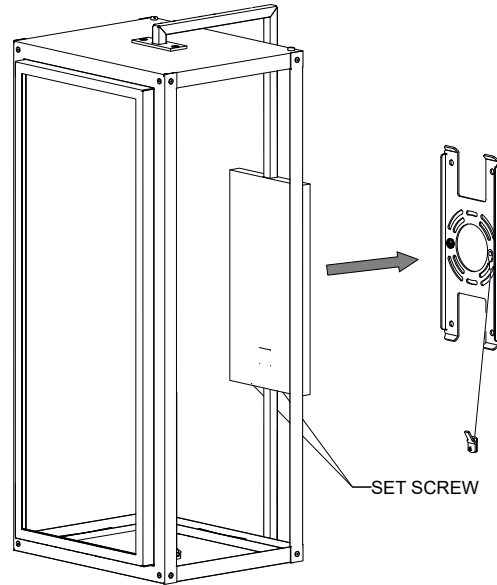
MOUNTING INSTRUCTIONS - 2 PERSON INSTALL

STEP 1

SHUT OFF THE MAIN ELECTRICAL SUPPLY TO THE JUNCTION BOX FROM THE FUSE BOX/CIRCUIT BREAKER. TURNING POWER OFF AT THE SWITCH IS NOT SUFFICIENT.

STEP 2

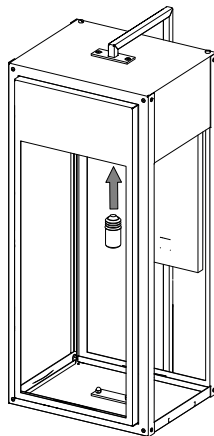
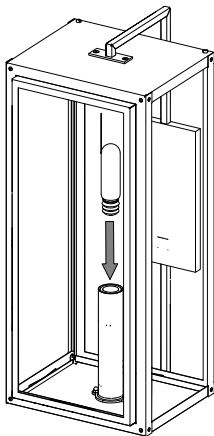
USE PROVIDED HEX WRENCH TO LOOSEN SET SCREWS AT BASE OF MOUNTING BRACKET. REMOVE MOUNTING PLATE AND SET ASIDE.



STEP 3

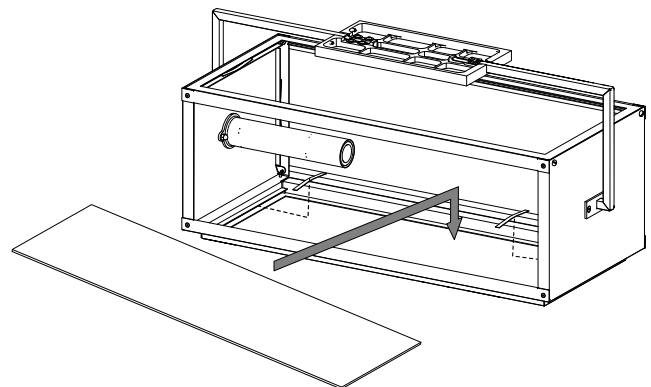
INSTALL BULB.

DARK SKY / TURTLE SAFE



STEP 4

LAY FIXTURE DOWN ON ITS FACE USING PACKAGING TO PROTECT FINISH. SLIDE FRONT GLASS INTO SIDE OF FIXTURE AT AN ANGLE AND LAY INTO FRONT OF FIXTURE. SECURE GLASS INTO TOP AND BOTTOM CHANNELS WITH GLASS CLIPS.





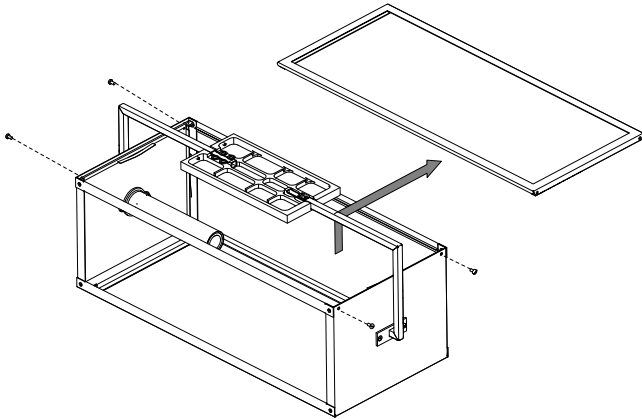
VIC ON BRACKET - EXTERIOR

ASSEMBLY AND MOUNTING INSTRUCTIONS

UE-1743

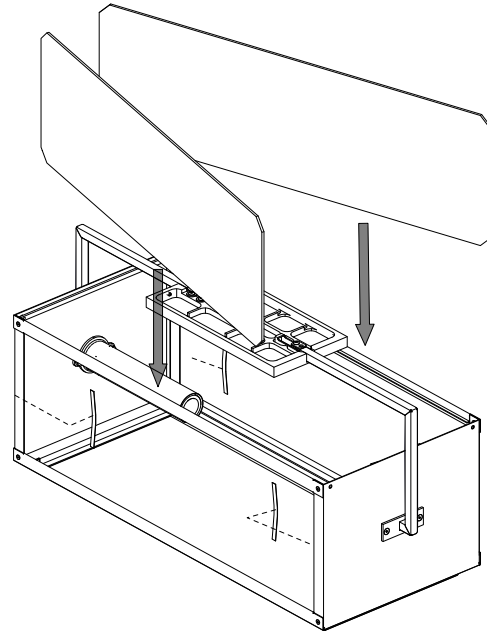
STEP 5

CAREFULLY UNSCREW SLOTTED SCREWS ON BACK END OF TOP AND BOTTOM OF FIXTURE BODY. REMOVE BACK OF FIXTURE BODY.



STEP 6

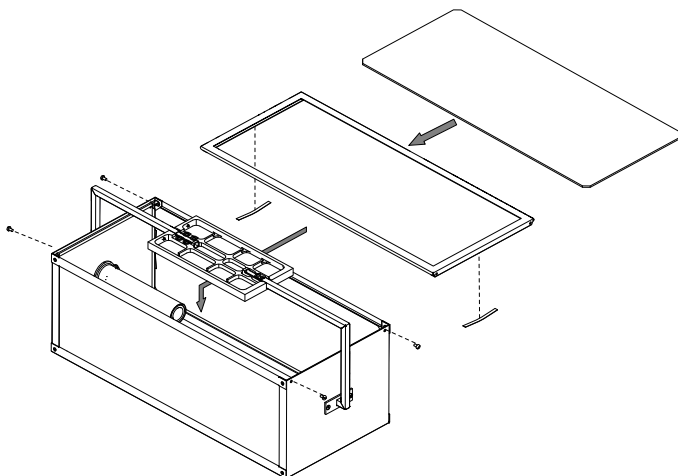
SLIDE SIDE GLASS PANES DOWN FROM THE BACK AT AN ANGLE. SECURE GLASS INTO TOP AND BOTTOM CHANNELS WITH GLASS CLIPS.



STEP 7

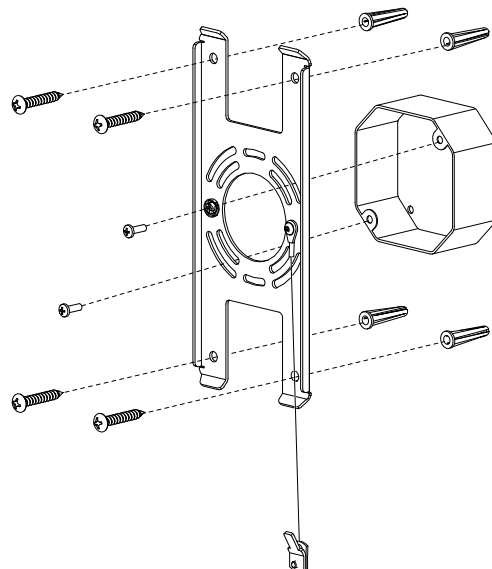
INSTALL BACK GLASS INTO BACK FRAME OF FIXTURE BODY BY SLIDING IN FROM THE SIDE AND SECURE IN TOP AND BOTTOM CHANNELS WITH GLASS CLIPS.

REPLACE BACK FRAME IN FIXTURE BODY AND REATTACH SLOTTED SCREWS.



STEP 8

USE MOUNTING PLATE TO MARK HOLES FOR WALL ANCHORS. DRILL HOLES AND INSTALL WALL ANCHORS. ATTACH MOUNTING PLATE TO WALL ANCHORS WITH MOUNTING SCREWS AND TO JUNCTION BOX WITH JUNCTION BOX SCREWS.





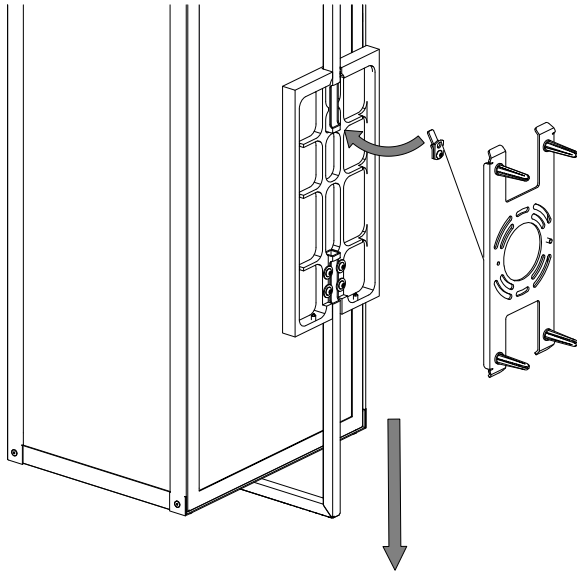
VIC ON BRACKET - EXTERIOR

ASSEMBLY AND MOUNTING INSTRUCTIONS

UE-1743

STEP 9

LIFT FIXTURE TO WALL. HOOK LANYARD ON CENTER OF MOUNTING BRACKET AND LET FIXTURE HANG FROM MOUNTING PLATE. USE A PROTECTIVE PAD UNDER FIXTURE WHEN RESTING AGAINST WALL.



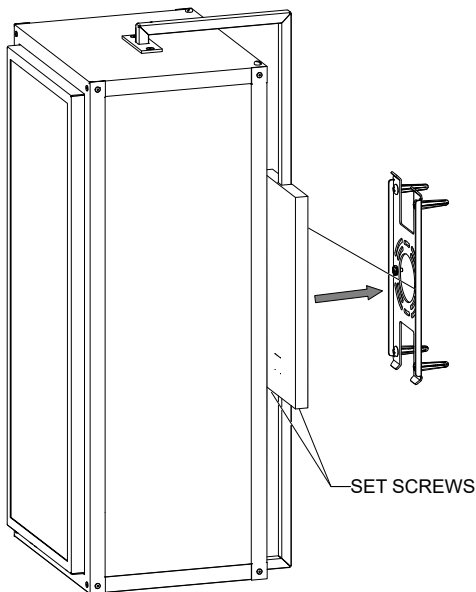
STEP 10

USING THE WIRE NUTS PROVIDED, MAKE ELECTRICAL CONNECTIONS BY FOLLOWING THE ELECTRICAL CONFIGURATION TABLE BELOW. ENSURE THAT ALL ELECTRICAL CONNECTIONS ARE WRAPPED WITH UL-LISTED ELECTRICAL TAPE.

IMPORTANT: NEVER ALLOW FIXTURE TO "HANG" FROM ELECTRICAL CONNECTIONS OR TO OTHERWISE PUT PRESSURE ON THE CONNECTIONS. THE WEIGHT OF THE FIXTURE SHOULD BE SUPPORTED BY THE MOUNTING ASSEMBLY.

STEP 11

SLIP FIXTURE BODY OVER MOUNTING PLATE AND TIGHTEN SET SCREWS AT BASE OF BRACKET.



STEP 12

APPLY SEALANT AROUND BACKPLATE.

RETURN POWER TO CIRCUIT. CONFIRM PROPER OPERATION OF FIXTURE.



VIC ON BRACKET - EXTERIOR

ASSEMBLY AND MOUNTING INSTRUCTIONS

UE-1743

ELECTRICAL CONFIGURATION TABLE

FROM HOME	FROM LUMINAIRE
CONNECT BLACK OR RED (HOT) HOUSE SUPPLY CIRCUIT WIRE TO:	LUMINAIRE ROUND/BLACK WIRE (HOT)
CONNECT WHITE (NEUTRAL) HOUSE SUPPLY CIRCUIT WIRE TO:	LUMINAIRE RIBBED/WHITE WIRE (NEUTRAL)
CONNECT GREEN INSULATED OR BARE COPPER (GROUND -) HOUSE SUPPLY CIRCUIT WIRE AND LUMINAIRE BARE STRANDED WIRE (GROUND -) TO GREEN GROUND SCREW ON CROSSBAR.	

GENERAL NOTE: USE UL LISTED WIRE NUTS FOR THE WIRING CONNECTIONS IN THIS LUMINAIRE. WRAP WIRE NUT CONNECTIONS WITH UL LISTED ELECTRICAL TAPE.

FOR QUESTIONS, PLEASE CONTACT CLIENT SERVICES AT: 843.723.8140 OR INFO@URBANELECTRICCO.COM