



PERCH, HR

ASSEMBLY AND MOUNTING INSTRUCTIONS

UE-2545HR

GENERAL NOTES

- CAREFULLY UNPACK THE LUMINAIRE AND INSPECT FOR DAMAGE.
- PLEASE WEAR GLOVES TO PROTECT THE FINISH OF THE FIXTURE.
- SAVE THESE INSTRUCTIONS FOR FUTURE REFERENCE.

NOTICE

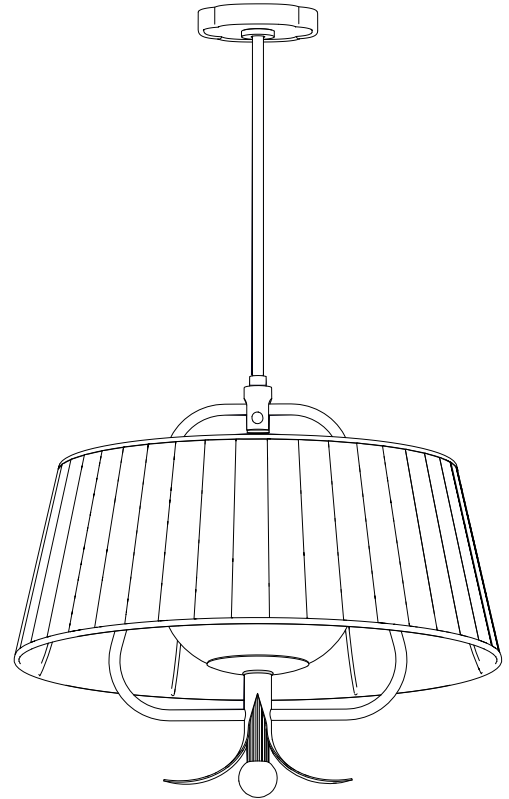
- FOR YOUR SAFETY AND PROPER OPERATION OF LUMINAIRE, READ AND UNDERSTAND ALL INSTRUCTIONS COMPLETELY BEFORE COMMENCING INSTALLATION OF THIS LUMINAIRE.
- THIS LUMINAIRE IS SUITED FOR DAMP LOCATIONS.
- THIS LUMINAIRE IS UL LISTED. WHEN INSTALLING LUMINAIRE, CONFORM TO ALL APPLICABLE LOCAL ELECTRICAL CODES, ORDINANCES, AND THE NATIONAL ELECTRICAL CODE (NEC).
- THIS PRODUCT IS RATED FOR ONE 60W TYPE A BULB

CAUTION

THIS PRODUCT SHOULD BE INSTALLED ONLY BY A LICENSED ELECTRICIAN.

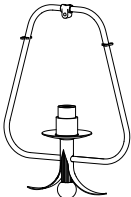
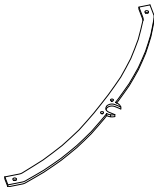
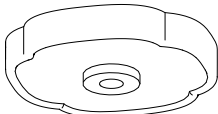


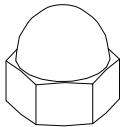
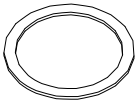
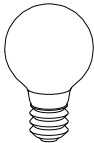

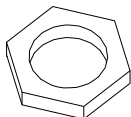

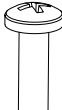
WARNING

THE ELECTRICITY MUST BE TURNED OFF AT THE MAIN FUSE BOX BEFORE INSTALLING THIS LUMINAIRE. TURNING POWER OFF USING THE LIGHT SWITCH MAY NOT BE SUFFICIENT TO PREVENT ELECTRICAL SHOCK.

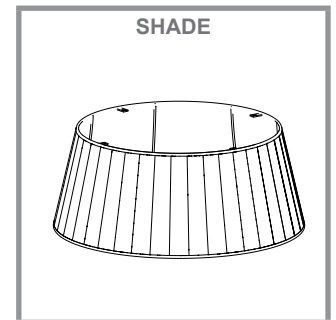


COMPONENTS PROVIDED FOR INSTALLATION

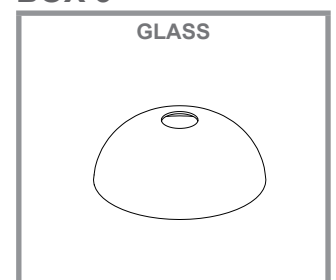
BOX 1

FIXTURE BODY 	SHADE SUPPORT (X2) 	CANOPY ASSEMBLY 	DOWNROD 
THUMB SCREW (X4) 	ACORN NUT (X4) 	GASKET 	BULB 
HALF BALL SWIVEL 	HEX NUT 	WIRE NUT (X2) 	JUNCTION BOX SCREWS (X2) 

BOX 2



BOX 3





PERCH, HR

ASSEMBLY AND MOUNTING INSTRUCTIONS

UE-2545HR

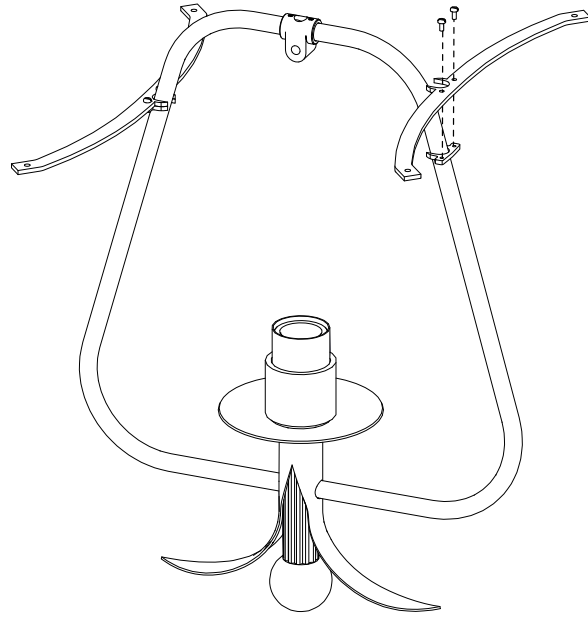
MOUNTING INSTRUCTIONS - 2 PERSON INSTALL

STEP 1

SHUT OFF THE MAIN ELECTRICAL SUPPLY TO THE JUNCTION BOX FROM THE FUSE BOX/CIRCUIT BREAKER. TURNING POWER OFF AT THE SWITCH IS NOT SUFFICIENT.

STEP 2

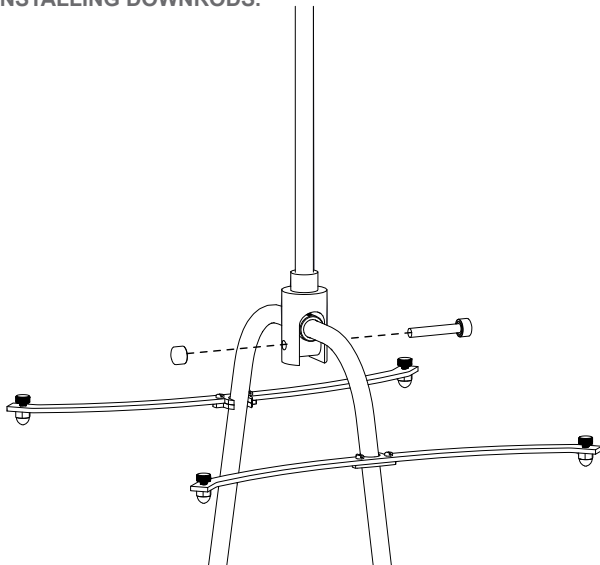
ATTACH SHADE SUPPORTS TO FIXTURE BODY WITH PAN HEAD SCREWS.



STEP 3

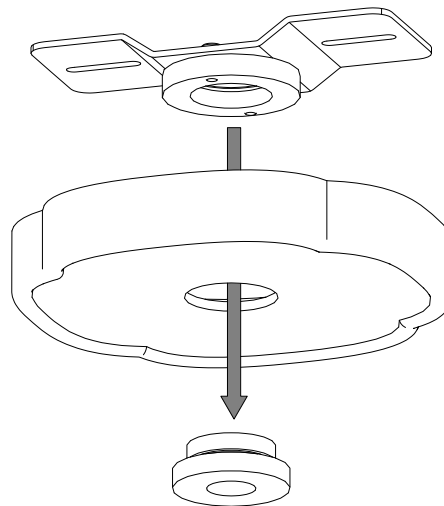
REMOVE ONE CAP FROM PIN IN CLEVIS OF DOWNROD. SLIP CLEVIS OVER COUPLER IN FIXTURE BODY. SLIP PIN THROUGH BOTH COMPONENTS AND REATTACH CAP.

FOR EXTENDED DOWNROD MOUNTING THERE WILL BE AN ADDITIONAL DOWNROD WITH A COUPLER IN BETWEEN THE TWO. TIGHTEN SET SCREWS IN COUPLER AFTER INSTALLING DOWNRODS.



STEP 4

UNSCREW SCREW COLLAR FROM CANOPY ASSEMBLY AND DETTACH MOUNTING BRACKET AND CANOPY.





PERCH, HR

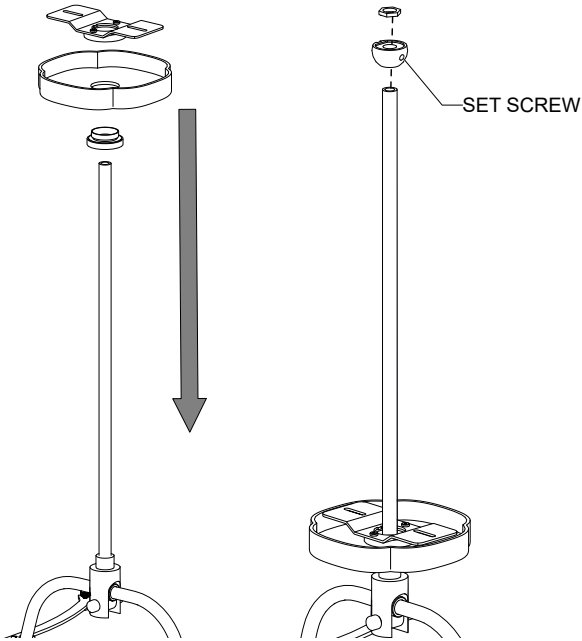
ASSEMBLY AND MOUNTING INSTRUCTIONS

UE-2545HR

STEP 5

SLIDE SCREW COLLAR, CANOPY AND MOUNTING BRACKET DOWN LENGTH OF DOWNROD.

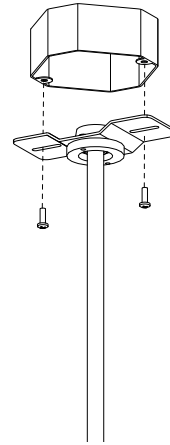
ATTACH HALF BALL SWIVEL TO DOWNROD WITH HEX NUT AND TIGHTEN SET SCREW.



STEP 6

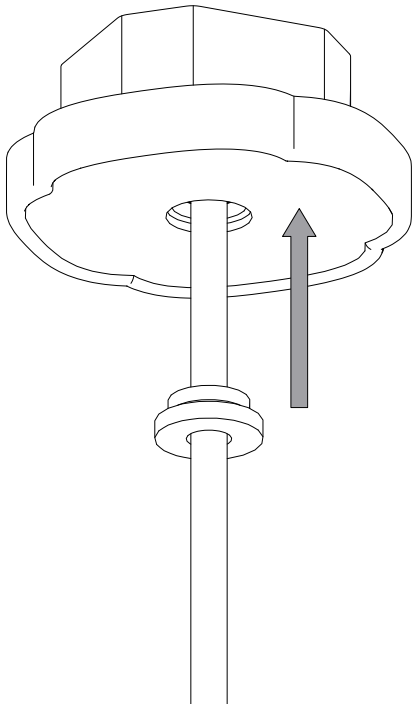
LIFT MOUNTING BRACKET AND FIXTURE TO CEILING AND ATTACH MOUNTING BRACKET TO JUNCTION BOX WITH JUNCTION BOX SCREWS. USING THE WIRE NUTS PROVIDED, MAKE ELECTRICAL CONNECTIONS BY FOLLOWING THE ELECTRICAL CONFIGURATION TABLE BELOW. ENSURE THAT ALL ELECTRICAL CONNECTIONS ARE WRAPPED WITH UL-LISTED ELECTRICAL TAPE.

IMPORTANT: NEVER ALLOW FIXTURE TO "HANG" FROM ELECTRICAL CONNECTIONS OR TO OTHERWISE PUT PRESSURE ON THE CONNECTIONS. THE WEIGHT OF THE FIXTURE SHOULD BE SUPPORTED BY THE MOUNTING ASSEMBLY.



STEP 7

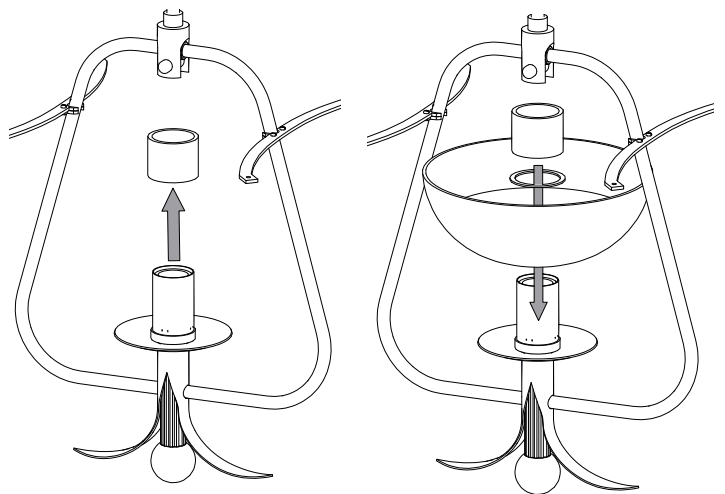
LIFT CANOPY TO CEILING AND SECURE IN PLACE WITH SCREW COLLAR.



STEP 8

UNSCREW THREADED SLEEVE FROM SOCKET ASSEMBLY.

SLIP GLASS OVER ELECTRICAL SOCKET, FOLLOWED BY GASKET. REATTACH THREADED SLEEVE. ***DO NOT OVERTIGHTEN***





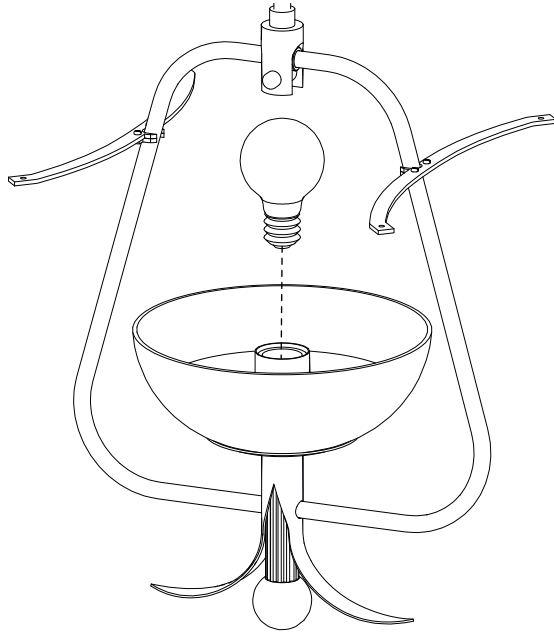
PERCH, HR

ASSEMBLY AND MOUNTING INSTRUCTIONS

UE-2545HR

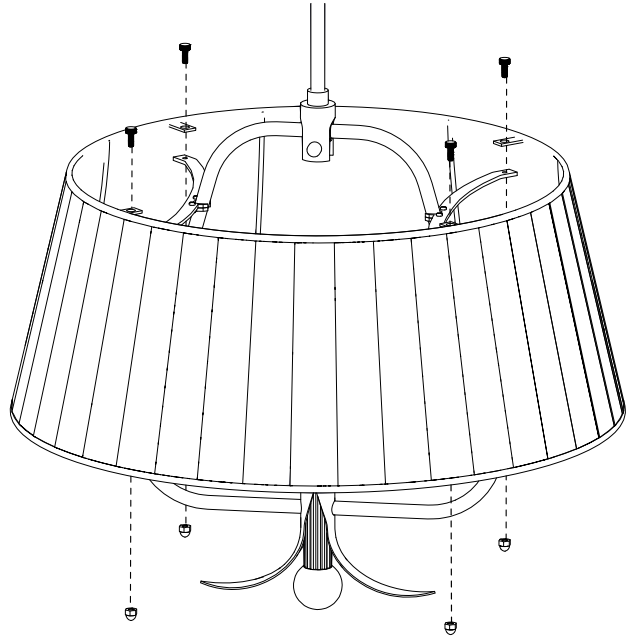
STEP 9

INSTALL BULB. RETURN POWER TO CIRCUIT, CONFIRM PROPER OPERATION OF FIXTURE.



STEP 10

ATTACH SHADE TO SUPPORT ARMS WITH THUMB SCREWS AND ACORN NUTS.



ELECTRICAL CONFIGURATION TABLE

FROM HOME	FROM LUMINAIRE
CONNECT BLACK OR RED (HOT) HOUSE SUPPLY CIRCUIT WIRE TO:	LUMINAIRE ROUND/BLACK WIRE (HOT)
CONNECT WHITE (NEUTRAL) HOUSE SUPPLY CIRCUIT WIRE TO:	LUMINAIRE RIBBED/WHITE WIRE (NEUTRAL)
CONNECT GREEN INSULATED OR BARE COPPER (GROUND -) HOUSE SUPPLY CIRCUIT WIRE AND LUMINAIRE BARE STRANDED WIRE (GROUND -) TO GREEN GROUND SCREW ON CROSSBAR.	

GENERAL NOTE: USE UL LISTED WIRE NUTS FOR THE WIRING CONNECTIONS IN THIS LUMINAIRE. WRAP WIRE NUT CONNECTIONS WITH UL LISTED ELECTRICAL TAPE.

FOR QUESTIONS, PLEASE CONTACT CLIENT SERVICES AT: 843.723.8140 OR INFO@URBANELECTRICCO.COM