



GENERAL NOTES

- CAREFULLY UNPACK THE LUMINAIRE AND INSPECT FOR DAMAGE.
- PLEASE WEAR GLOVES TO PROTECT THE FINISH OF THE FIXTURE.
- SAVE THESE INSTRUCTIONS FOR FUTURE REFERENCE.

NOTICE

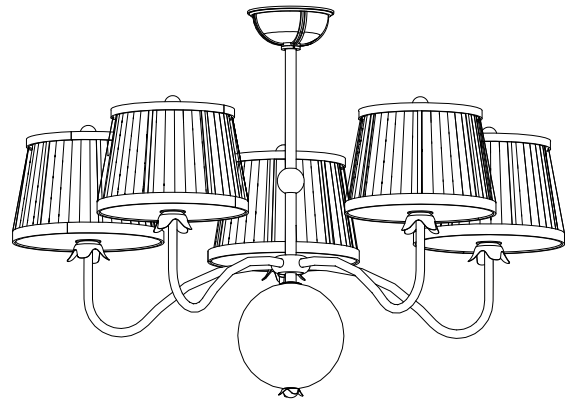
- FOR YOUR SAFETY AND PROPER OPERATION OF LUMINAIRE, READ AND UNDERSTAND ALL INSTRUCTIONS COMPLETELY BEFORE COMMENCING INSTALLATION OF THIS LUMINAIRE.
- THIS LUMINAIRE IS SUITED FOR DAMP LOCATIONS.
- THIS LUMINAIRE IS UL LISTED. WHEN INSTALLING LUMINAIRE, CONFORM TO ALL APPLICABLE LOCAL ELECTRICAL CODES, ORDINANCES, AND THE NATIONAL ELECTRICAL CODE (NEC).
- THIS PRODUCT IS RATED FOR FIVE 60W MAX TYPE A BULBS

CAUTION

THIS PRODUCT SHOULD BE INSTALLED ONLY BY A LICENSED ELECTRICIAN.

WARNING

THE ELECTRICITY MUST BE TURNED OFF AT THE MAIN FUSE BOX BEFORE INSTALLING THIS LUMINAIRE. TURNING POWER OFF USING THE LIGHT SWITCH MAY NOT BE SUFFICIENT TO PREVENT ELECTRICAL SHOCK.



COMPONENTS PROVIDED FOR INSTALLATION

CRATE

<p>FIXTURE BODY</p>		<p>SHADE (X5)</p>	<p>DIFFUSER (X5)</p>	<p>CANOPY</p>	<p>GLASS ASSEMBLY</p>	
<p>ELECTRICAL CLUSTER (X5)</p>	<p>DOWNROD</p>	<p>BALL (X5)</p>	<p>CANOPY COLLAR</p>	<p>THUMB SCREWS (X20)</p>	<p>HEX NUT (X20)</p>	
<p>MOUNTING PLATE</p>	<p>LOCK NUT</p>	<p>MOUNTING SCREW (X8)</p>	<p>U-BOLT (X2)</p>	<p>BULBS (X10)</p>	<p>HEX WRENCH</p>	<p>WIRE NUTS (X2)</p>



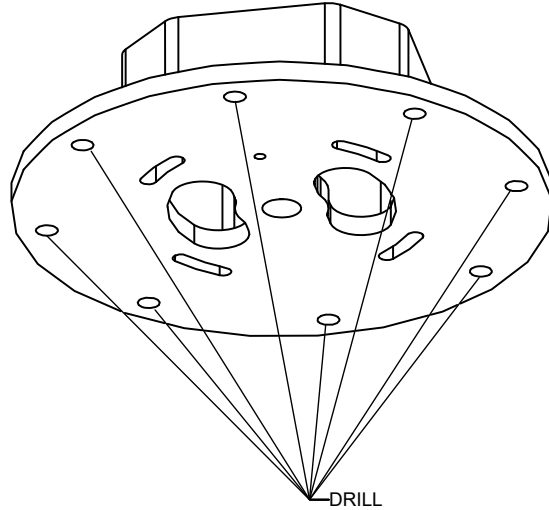
MOUNTING INSTRUCTIONS - 2 PERSON INSTALL

STEP 1

SHUT OFF THE MAIN ELECTRICAL SUPPLY TO THE JUNCTION BOX FROM THE FUSE BOX/CIRCUIT BREAKER. TURNING POWER OFF AT THE SWITCH IS NOT SUFFICIENT.

STEP 2

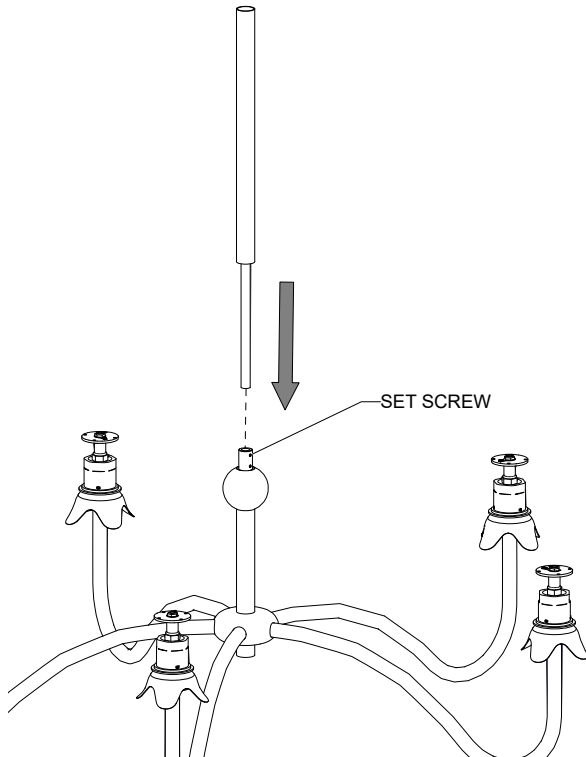
LOCATE JUNCTION BOX AND POSITION MOUNTING PLATE IN DESIRED LOCATION. MARK AND DRILL 8 HOLES FOR MOUNTING SCREWS. SET MOUNTING PLATE ASIDE.



STEP 3

ATTACH DOWNROD NIP TO COUPLER ON FIXTURE BODY AND TIGHTEN SET SCREW WITH PROVIDED HEX WRENCH. SLIP DOWNROD SLEEVE OVER NIP AND SCREW DOWN UNTIL SNUG ON FIXTURE BODY.

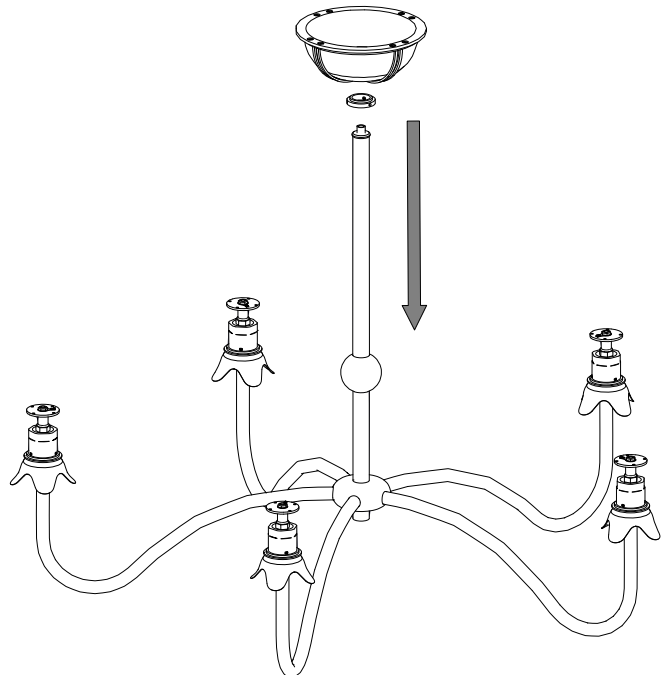
FOR EXTENDED DOWNROD MOUNTING THERE WILL BE AN ADDITIONAL DOWNROD WITH A COUPLER IN BETWEEN THE TWO. TIGHTEN SET SCREWS IN COUPLER AFTER INSTALLING DOWNRODS.



STEP 4

LOOSEN SET SCREWS IN CANOPY COLLAR AND SLIDE DOWN LENGTH OF DOWNROD FOLLOWED BY THE CANOPY.

BE CAREFUL TO AVOID SCRATCHING FINISH.





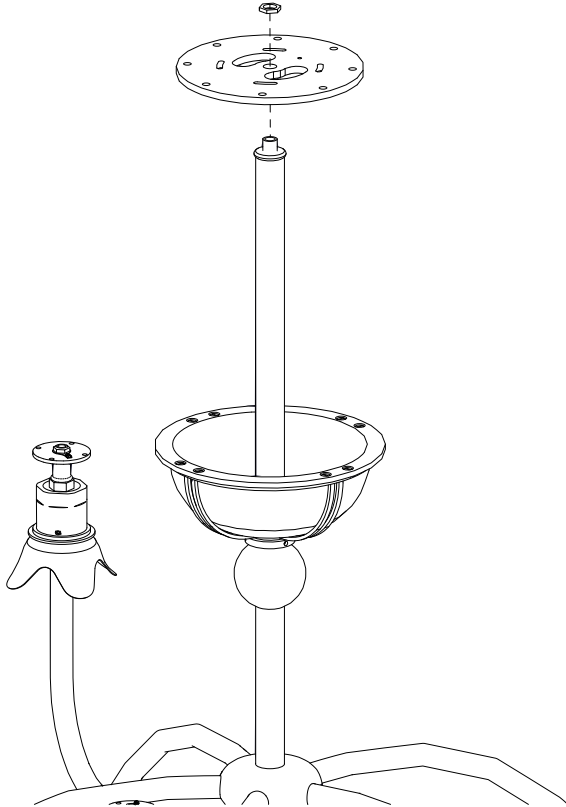
FEDERAL, HR

ASSEMBLY AND MOUNTING INSTRUCTIONS

KF-2505HR

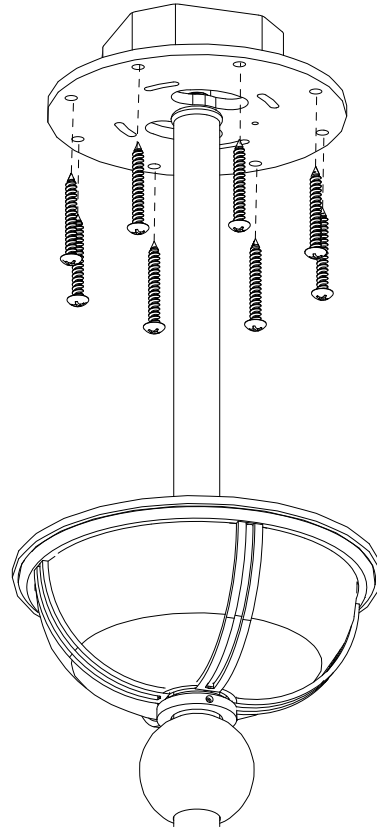
STEP 5

ATTACH MOUNTING PLATE TO DOWNROD NIP WITH HEX NUT.



STEP 6

LIFT FIXTURE TO CEILING AND ATTACH TO CEILING WITH MOUNTING SCREWS.



STEP 7

USING THE WIRE NUTS PROVIDED, MAKE ELECTRICAL CONNECTIONS BY FOLLOWING THE ELECTRICAL CONFIGURATION TABLE BELOW. ENSURE THAT ALL ELECTRICAL CONNECTIONS ARE WRAPPED WITH UL-LISTED ELECTRICAL TAPE.

IMPORTANT: NEVER ALLOW FIXTURE TO "HANG" FROM ELECTRICAL CONNECTIONS OR TO OTHERWISE PUT PRESSURE ON THE CONNECTIONS. THE WEIGHT OF THE FIXTURE SHOULD BE SUPPORTED BY THE MOUNTING ASSEMBLY.

STEP 8 (IF SAFETY CABLE IS NEEDED)

ATTACH SAFETY CABLE TO SECURED BUILDING STRUCTURE SEPARATE FROM JUNCTION BOX USING U-BOLTS PROVIDED.

IMPORTANT: BE SURE SAFETY CABLE HAS LITTLE TO NO SLACK IN IT WHEN SECURING CANOPY TO BUILDING, AS SHOWN BELOW.





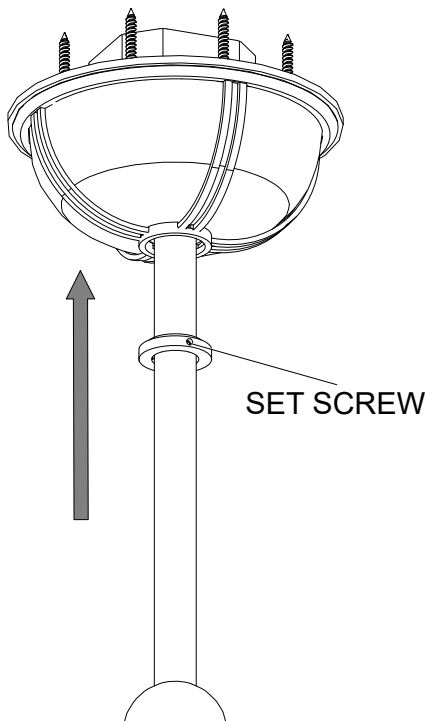
FEDERAL, HR

ASSEMBLY AND MOUNTING INSTRUCTIONS

KF-2505HR

STEP 9

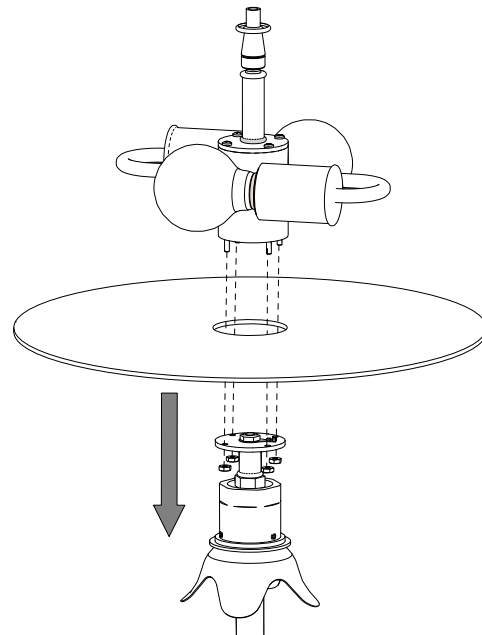
LIFT CANOPY TO CEILING FOLLOWED BY THE COLLAR. TIGHTEN THE 3 SET SCREWS EVENLY AROUND COLLAR TO HOLD IN PLACE.



STEP 10

PLACE DIFFUSERS ON ARMS OF FIXTURE BODY.

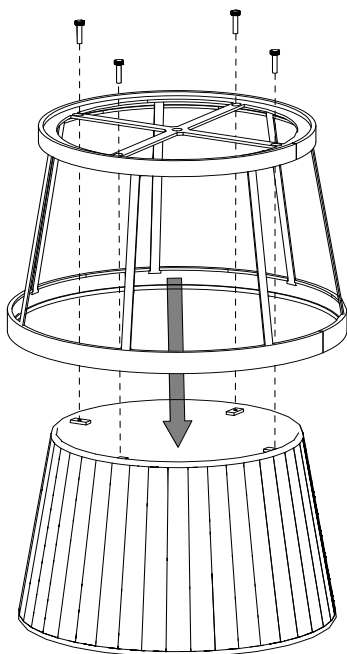
MAKE ELECTRICAL CONNECTIONS FROM ELECTRICAL CLUSTERS TO ARMS OF FIXTURE BODY. TUCK WIRES INTO CLUSTERS AND ATTACH TO ARMS WITH 4 HEX NUTS AT EACH ARM.



STEP 11

INSERT SHADE INTO SHADE HOLDER. SECURE WITH FOUR THUMB SCREWS.

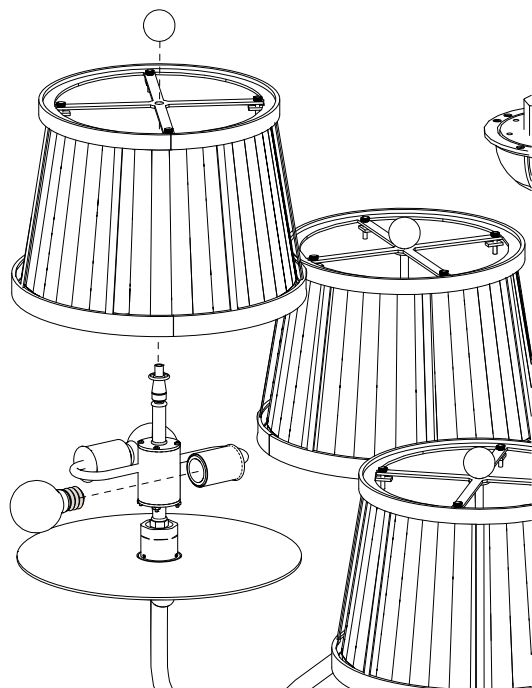
REPEAT FOR REMIANING SHADES.



STEP 12

INSTALL BULBS

PLACE SHADE ON TOP OF ELECTRICAL CLUSTER AND SECURE WITH BALL. REPEAT FOR REMAINING SHADES.





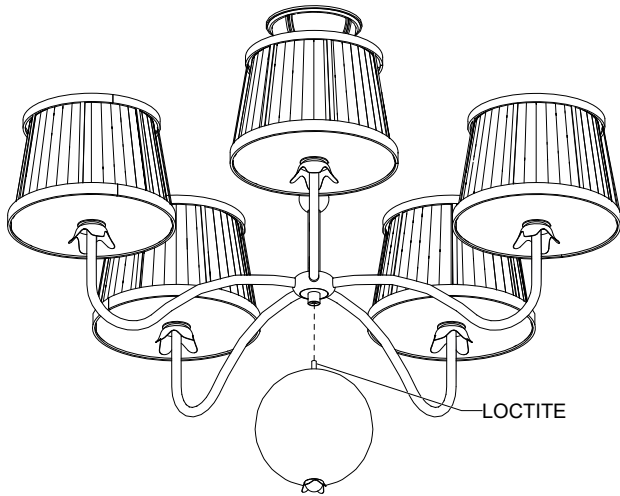
FEDERAL, HR

ASSEMBLY AND MOUNTING INSTRUCTIONS

KF-2505HR

STEP 13

APPLY LOCTITE TO THREADS ON TOP OF GLOBE ASSEMBLY. SCREW GLOBE ASSEMBLY INTO CENTER OF FIXTURE BODY AT BASE.



STEP 14

RETURN POWER TO CIRCUIT. CONFIRM PROPER OPERATION OF FIXTURE.

ELECTRICAL CONFIGURATION TABLE

FROM HOME	FROM LUMINAIRE
CONNECT BLACK OR RED (HOT) HOUSE SUPPLY CIRCUIT WIRE TO:	LUMINAIRE ROUND/BLACK WIRE (HOT)
CONNECT WHITE (NEUTRAL) HOUSE SUPPLY CIRCUIT WIRE TO:	LUMINAIRE RIBBED/WHITE WIRE (NEUTRAL)
CONNECT GREEN INSULATED OR BARE COPPER (GROUND -) HOUSE SUPPLY CIRCUIT WIRE AND LUMINAIRE BARE STRANDED WIRE (GROUND -) TO GREEN GROUND SCREW ON CROSSBAR.	

GENERAL NOTE: USE UL LISTED WIRE NUTS FOR THE WIRING CONNECTIONS IN THIS LUMINAIRE. WRAP WIRE NUT CONNECTIONS WITH UL LISTED ELECTRICAL TAPE.

FOR QUESTIONS, PLEASE CONTACT CLIENT SERVICES AT: 843.723.8140 OR INFO@URBANELECTRICCO.COM