



# ELEANORA, WR

## ASSEMBLY AND MOUNTING INSTRUCTIONS

UE-2571WR

### GENERAL NOTES

- CAREFULLY UNPACK THE LUMINAIRE AND INSPECT FOR DAMAGE.
- PLEASE WEAR GLOVES TO PROTECT THE FINISH OF THE FIXTURE.
- SAVE THESE INSTRUCTIONS FOR FUTURE REFERENCE.

#### NOTICE

- FOR YOUR SAFETY AND PROPER OPERATION OF LUMINAIRE, READ AND UNDERSTAND ALL INSTRUCTIONS COMPLETELY BEFORE COMMENCING INSTALLATION OF THIS LUMINAIRE.
- THIS LUMINAIRE IS SUITED FOR DAMP LOCATIONS.
- THIS LUMINAIRE IS UL LISTED. WHEN INSTALLING LUMINAIRE, CONFORM TO ALL APPLICABLE LOCAL ELECTRICAL CODES, ORDINANCES, AND THE NATIONAL ELECTRICAL CODE (NEC).
- THIS PRODUCT IS RATED FOR ONE 40W TYPE A BULB

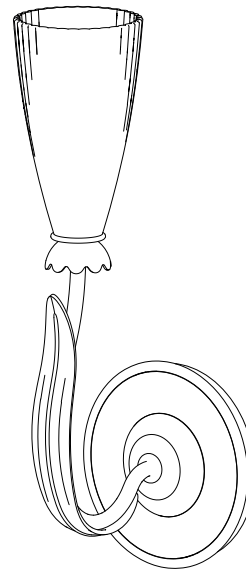
#### CAUTION

THIS PRODUCT SHOULD BE INSTALLED ONLY BY A LICENSED ELECTRICIAN.

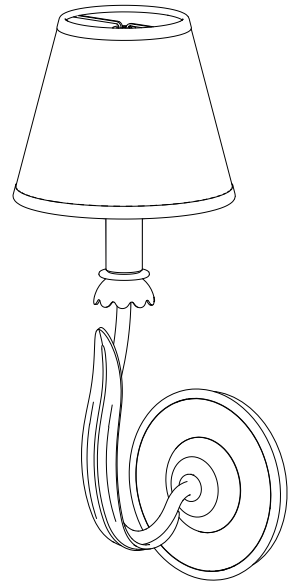
#### WARNING

THE ELECTRICITY MUST BE TURNED OFF AT THE MAIN FUSE BOX BEFORE INSTALLING THIS LUMINAIRE. TURNING POWER OFF USING THE LIGHT SWITCH MAY NOT BE SUFFICIENT TO PREVENT ELECTRICAL SHOCK.

GLASS OPTION



SHADE OPTION



### COMPONENTS PROVIDED FOR INSTALLATION

#### BOX 1

<p><b>FIXTURE BODY</b></p>	<p><b>BACK PLATE EXTENSION (OPTIONAL)</b></p>	<p><b>JUNCTION BOX SCREWS (X2)</b></p>		
	<p><b>WIRENUTS (X2)</b></p>	<p><b>HEX WRENCH</b></p>	<p><b>BULB (GLASS OPTION)</b></p>	<p><b>BULB (SHADE OPTION)</b></p>

#### BOX 2

<p><b>GLASS OPTION</b></p>
<p><b>SHADE OPTION</b></p>



# ELEANORA, WR

ASSEMBLY AND MOUNTING INSTRUCTIONS

UE-2571WR

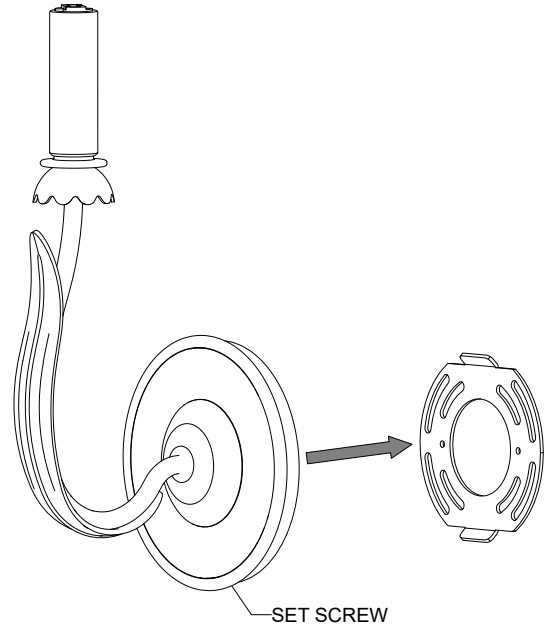
## MOUNTING INSTRUCTIONS - 1 PERSON INSTALL

### STEP 1

SHUT OFF THE MAIN ELECTRICAL SUPPLY TO THE JUNCTION BOX FROM THE FUSE BOX/CIRCUIT BREAKER. TURNING POWER OFF AT THE SWITCH IS NOT SUFFICIENT.

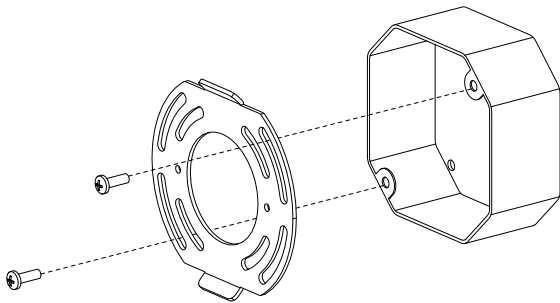
### STEP 2

USING PROVIDED HEX WRENCH, LOOSEN SET SCREW AT BASE OF FIXTURE BODY AND REMOVE MOUNTING PLATE.

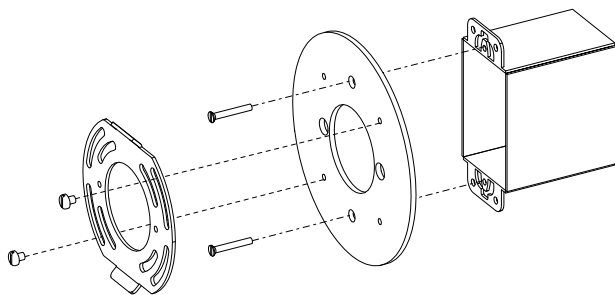


### STEP 3

ATTACH MOUNTING PLATE TO JUNCTION BOX WITH JUNCTION BOX SCREWS.



FOR SINGLE GANG JUNCTION BOX, ATTACH BACK PLATE EXTENSION TO JUNCTION BOX WITH FLAT HEAD SCREWS. ATTACH MOUNTING PLATE TO BACK PLATE EXTENSION WITH PAN HEAD SCREWS.



### STEP 4

USING THE WIRE NUTS PROVIDED, MAKE ELECTRICAL CONNECTIONS BY FOLLOWING THE ELECTRICAL CONFIGURATION TABLE BELOW. ENSURE THAT ALL ELECTRICAL CONNECTIONS ARE WRAPPED WITH UL-LISTED ELECTRICAL TAPE.

**IMPORTANT: NEVER ALLOW FIXTURE TO "HANG" FROM ELECTRICAL CONNECTIONS OR TO OTHERWISE PUT PRESSURE ON THE CONNECTIONS. THE WEIGHT OF THE FIXTURE SHOULD BE SUPPORTED BY THE MOUNTING ASSEMBLY.**



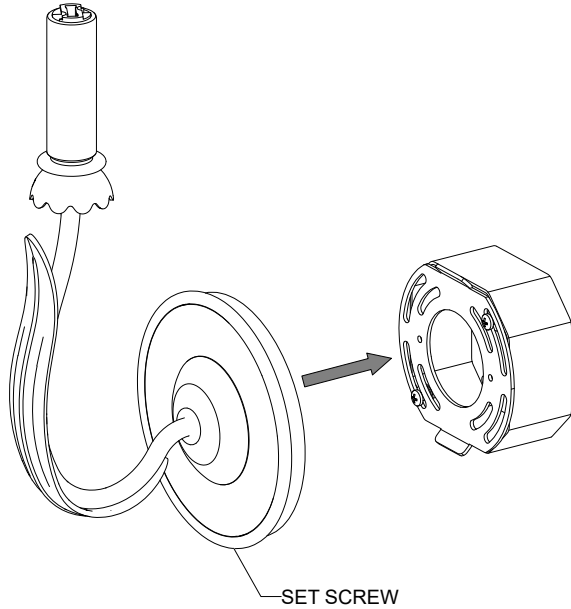
# ELEANORA, WR

## ASSEMBLY AND MOUNTING INSTRUCTIONS

UE-2571WR

### STEP 5

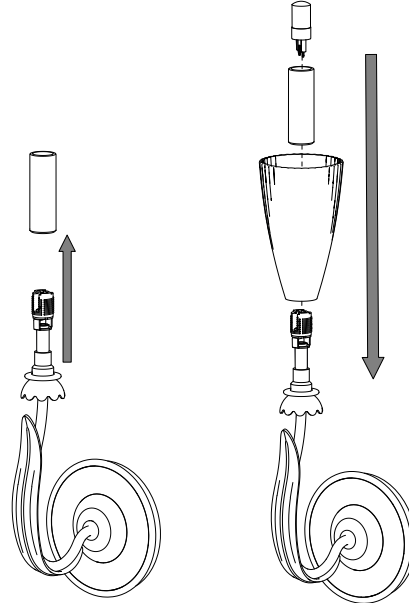
SLIP FIXTURE BODY OVER MOUNTING PLATE AND TIGHTEN SET SCREW.



### STEP 6 - GLASS OPTION

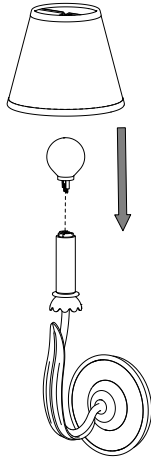
REMOVE THREADED CANDLE SLEEVE. SLIP GLASS OVER SOCKET AND REATTACH THREADED CANDLE SLEEVE.

INSTALL BULB, RETURN POWER TO CIRCUIT. CONFIRM PROPER OPERATION OF FIXTURE



### STEP 6 - SHADE OPTION

INSTALL BULB AND SHADE. RETURN POWER TO CIRCUIT, CONFIRM PROPER OPERATION OF FIXTURE.



## ELECTRICAL CONFIGURATION TABLE

FROM HOME	FROM LUMINAIRE
CONNECT BLACK OR RED (HOT) HOUSE SUPPLY CIRCUIT WIRE TO:	LUMINAIRE ROUND/BLACK WIRE (HOT)
CONNECT WHITE (NEUTRAL) HOUSE SUPPLY CIRCUIT WIRE TO:	LUMINAIRE RIBBED/WHITE WIRE (NEUTRAL)
CONNECT GREEN INSULATED OR BARE COPPER (GROUND -) HOUSE SUPPLY CIRCUIT WIRE AND LUMINAIRE BARE STRANDED WIRE (GROUND -) TO GREEN GROUND SCREW ON CROSSBAR.	

**GENERAL NOTE:** USE UL LISTED WIRE NUTS FOR THE WIRING CONNECTIONS IN THIS LUMINAIRE. WRAP WIRE NUT CONNECTIONS WITH UL LISTED ELECTRICAL TAPE.

FOR QUESTIONS, PLEASE CONTACT CLIENT SERVICES AT: 843.723.8140 OR [INFO@URBANELECTRICCO.COM](mailto:INFO@URBANELECTRICCO.COM)